

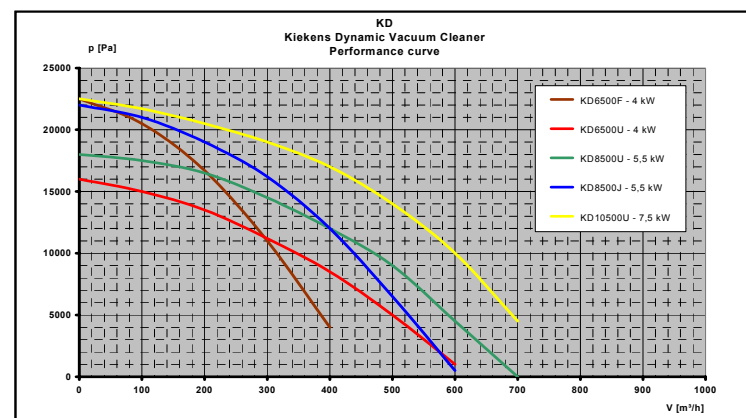
SPECIFICATIONS	KD			KG		
	KD6000	KD8000	KD10000	KG10000	KG15000	KG20000
Type						
Motor power [kW]	4	5.5	7.5	7.5	11	15
Turbo compressor	5-stage	5-stage	5-stage	7-stage	7-stage	7-stage
Voltage [V] / [Hz] *	400 / 50	400 / 50	400 / 50	400 / 50	400 / 50	400 / 50
Suction pressure [kPa] **	22-16	22-18	23	31-24	35-28	34
Airflow [m³/h]**	400-600	600-700	700	600-700	700-800	900
Filter area [m²]	2.8 / 3.8	2.8 / 3.8	2.8 / 3.8	4.2 / 5.8 / 8.8	4.2 / 5.8 / 8.8	4.2 / 5.8 / 8.8
Filter permeability	< 0.1%	< 0.1%	< 0.1%	< 0.1%	< 0.1%	< 0.1%
HEPA filter area [m²]	2.1 / 5.1	5.1	5.1	7	7	7
HEPA filter permeability	< 0.003%	< 0.003%	< 0.003%	< 0.003%	< 0.003%	< 0.003%
Capacity dustcontainer [l]	80	80	80	120	120	120
Noise level [dB(A)] ***	70	71	72	72	70	73
Hose connection [mm]	ø60 / 80	ø60 / 80	ø60 / 80	ø60 / 80 / 110	ø60 / 80 / 110	ø60 / 80 / 110
Dimensions l x w [mm]****	1473x701	1473x701	1473x701	1484x811	1484x811	1484x811
Body diameter [mm]	ø 520	ø 520	ø 520	ø 630	ø 630	ø 630

\*Other voltages on request. \*\*Measured at the inlet. \*\*\*Measured at 10 m. \*\*\*\*Height dependent on version (1208-1990 mm).

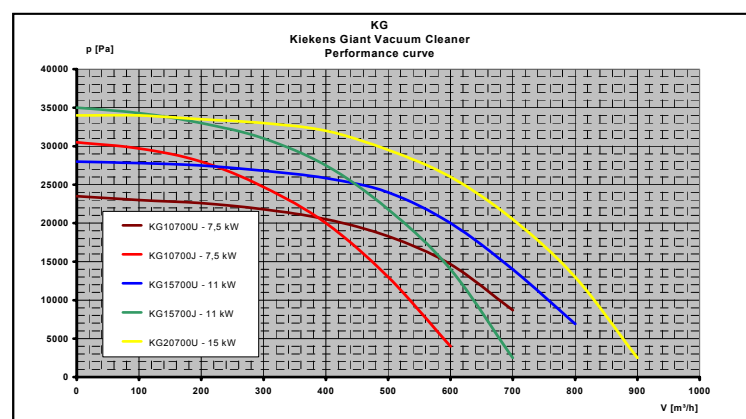
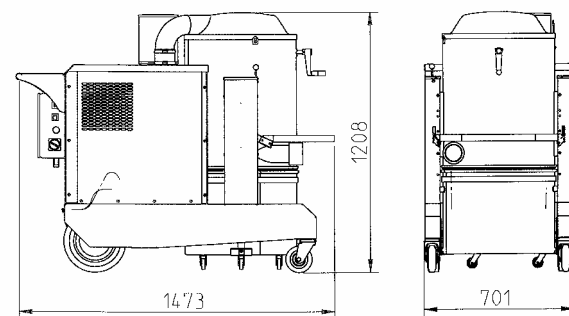
TYPES KD/KG

# KIEKENS multi-point industrial vacuum cleaners

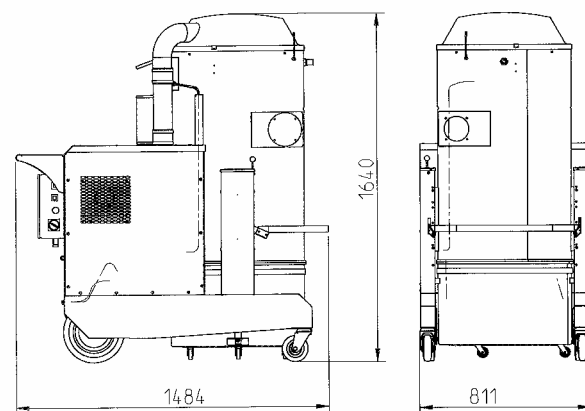
- Extremely suitable for simultaneous multi-point suction
- Modular construction of frames, dust containers, filters and suction units
- Powerful mechanical filter cleaning provision or filter cleaning by means of compressed air
- Particularly suitable for the suction of dry and fine dusts
- Three phase motors for continuous operation
- 5- and 7-stage high efficient turbo compressors
- Capacities up to 15,000 l/min
- Effective pre-separation
- Robust steel construction
- Very low noise level



KD ind. vac. cleaner (Kiekens Dynamic)



KG ind. vac. cleaner (Kiekens Giant)



1047292 No legal rights can be derived from this publication. Specifications may be changed without prior notice. 02-2004



Kiekens Products B.V.  
P.O. Box 99  
7600 AB Almelo - NL  
www.kiekens.nl  
info@kiekens.nl



# KIEKENS PRODUCTS

## leaders in industrial vacuum cleaning technology



### Kiekens Products

The industrial vacuum cleaners of Kiekens Products are eminent quality products with a very long life. The ergonomically constructed vacuum cleaners are characterized by a high filtration and a strong suction power with a low noise level. In that way they contribute to dust free and safe working conditions.

### KD/KG range

The KD and KG industrial vacuum cleaners are composed of a modular programme consisting of various suction units, filters, dustcontainers and frames.

The semi-mobile industrial vacuum cleaners are very suitable for the extraction of large quantities of coarse dusts and bulk materials. Also designed as dedusting installation for simultaneous suction at several points and/or ducting conveyance over large distances by means of high efficient powerful turbo compressors.

### Large airflow

The KD and KG vacuum cleaners guarantee a large and stable air capacity for the suction of large quantities of dry dusts and swarfs. In combination with a tiltable pre-separator the vacuum cleaners can be applied for removing bulk materials without any problems.

### Strong suction power with long hoses

The KD and KG vacuum cleaners are characterized by an exceptionally strong suction power in combination with a large airflow. Because of this, resistances of long suction hoses and special suction nozzles can easily be overcome while preserving the suction power. Minimal necessary air velocities for the purpose of an effective air transport are guaranteed.

### Applications

The KD and KG industrial vacuum cleaners are excellently usable for the extraction of fine and even health hazardous dusts in the metal, plastic, glass, electro, ceramic, food, paint, chemical and pharmaceutical industry, thanks to standard application of certified filter material. The industrial vacuum cleaners are constructed in accordance with the European standard in force EN 60335-2-69 for the suction of dusts which are hazardous to health.



### ATEX 95

If required the industrial vacuum cleaners can be built according to the ATEX directive 94/9/EC for the explosion zones 2 (gas) and 22 (dust). Other zones on request.



**Cleaning by means of compressed air**  
Fully automatic pressure controlled cleaning by means of compressed air for continuous use.



**Motor modules**  
5-stage or 7-stage suction units, furnished with a belt transmission for different numbers of revolutions.



**Secondary filter (absolute filter)**

- Optional HEPA-filter 5,1 / 7,0 m<sup>2</sup>
- Dust class H



**Main filter (KG)**

- Cartridge filter 8,8 m<sup>2</sup>
- Dust class M
- Cleaning during operation
- Cleaning by compressed air (jetpuls)

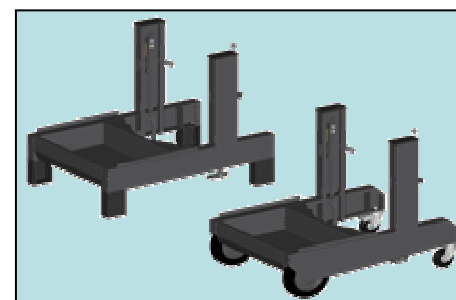


**Main filter (KD and KG)**

- Cloth filter 2,8 / 3,8 / 4,2 / 5,8 m<sup>2</sup>
- Folded bag filter
- Dust class M
- Cleaning by shaking mechanism



**Dust container**  
The 80 (KD) or 120 (KG) litres dust-container can be optionally equipped with a disposable plastic bag.



**Frame**  
The frame of the vacuum cleaner has a mobile or stationary design, dependent on the application.



**Operation**  
Standard provided with a main security switch and an automatic phase sequence switch.



**Accessories**  
A broad selection of suction tubes, hoses, couplings and suction nozzles is available for every desired application.



**Custom-made solution**  
Dependent on the application a custom-made machine is assembled from robust and approved modules. The whole guarantees the high quality of Kiekens.