

Accessories

Extraction Arms

ESTA extraction arms can be moved into any position with the tip of your finger. The exterior mounted articulated arms cannot become soiled by the extracted fumes and will not obstruct the airflow.



Extraction arm with a square plastic extraction hood

Ø	Length	Order No.
140 mm	2 m	14.204
140 mm	3 m	14.304



Extraction arm with a square aluminium extraction hood (600 x 600 mm)

Ø	Length	Order No.
140 mm	2 m	14.203
140 mm	3 m	14.303

Sensor Activated Start

An optical sensor recognizes the welding arc and starts the fume extractor automatically.

SRF K-10 Order No. 70268127
SRF K-15 Order No. 70269127



Shut Off Valves

Installed into the extraction arm, Ø 140 mm
Order No. 270.140



Throttle Valves

Installed into the extraction arm, Ø 140 mm
Order No. 240.140



Ground Clamp Activated Start

The fume extractor is activated by the ground clamp of the welding equipment.
SRF K-10 Order No. 70268126
SRF K-15 Order No. 70269126



Wall-Mount Bracket

For wall-mount installation of the fume extractor
Order No. 60400001



Lighted Extraction Hood

A halogen light integrated in the hood provides optimal illumination of the work area.

Order No. 15430



Activated Charcoal Filter

Additional filter to eliminate odours

SRF K-10 Order No. 70268129

SRF K-15 Order No. 70269129

Exhaust Air Connection

Connection to discharge the filtered air to the outside

Ø 180 mm

SRF K-10 Order No. 70268111

Ø 280 mm

SRF K-15 Order No. 70269111



Welding Fume Filters

ESTA
EXTRACTION

SRF K-10

SRF K-15

- Suitable for all welding stations
- Compact design
- Intake connections for one or two extraction arms
- Increased fume capturing efficiency through new hood design



**ESTA Apparatebau
GmbH & Co. KG**

Gotenstrasse 2-6
D-89250 Senden

Tel: +49 (0) 73 07/8 04-0

Fax: +49 (0) 73 07/71 53

E-Mail: info@esta.com

www.esta.com

SRF K engl. 07/04

ESTA
EXTRACTION

Welding Fume Filter SRF K-10

The mobile welding fume filter model SRF K-10 can be used universally for all types of welding stations. Optionally, the unit can be equipped with an extraction arm, which can be two or three meters in length and which captures the fumes as close as possible to the source where they are generated. After the air has passed through the filter system the clean exhaust air is returned into the workplace. The superior 99.9% filtration efficiency of the unit ensures extremely clean working conditions. Besides a rugged plastic housing the fume extractor also features the patented ESTA technology of a tiltable filter unit, which makes the disposal of the collected dust and fume particles very convenient. The welding fume filters have been tested and certified by the German Institute for Occupational Health and Safety (BIA) and are therefore accepted by the German workman's comp association without additional requirements.

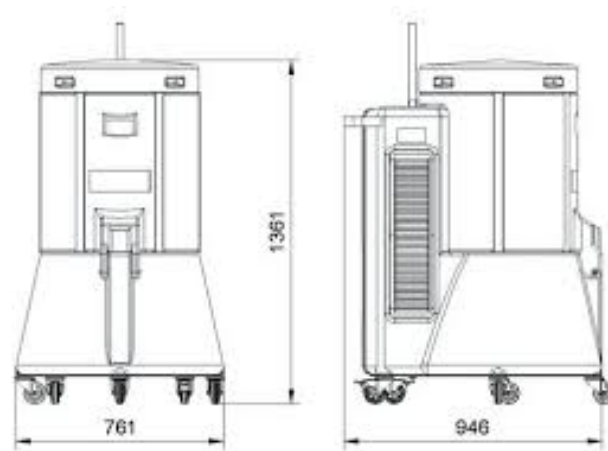
Advantages

- Rugged plastic housing
- Strong and efficient extraction of fumes
- Cleanable cartridge filter of BIA*) dust classification M
- Pneumatic filter cleaning, manually with air blow gun or automatically
- Highly portable unit
- Compact design
- Also available with wall-mount bracket
- Optional activated charcoal filter
- Availability of BIA*) certified models
- Extensive range of accessories available (see page 4)



Model SRF K-10 in operation at a welding station

Technical Data and Dimensions



Welding Fume Extraction		SRF K-10	SRF K-15
Max. airflow	m ³ /h	1,000	2,000*)
Intake diameter	mm	140	2 x 140
Max. neg. pressure	Pa	2,400	2,000
Voltage	V	230	400
Motor	kW	1.1	2.2
Filter area	m ²	10	15
Weight	kg	69	74
Dimension (L x W x H)	mm	946 x 761 x 1,361	946 x 761 x 1,361
Order No. (standard model)		55.203	55.212
Order No. (with BIA test certificate "W3")		55.235	55.229

*) Measured with two intake connections

Application Range

- Structural and mild steel
- Special alloy steel (e.g. chrome nickel steel, etc.)
- Coated sheet metal
- Aluminium
- Galvanized parts

We reserve the right to make technical changes



W3



Model SRF K-15 with dual extraction arms

Filter Cleaning Methods

Standard Cleaning Method (Manually)

Quick and effective filter cleaning with a hand held air blow gun. The pleats of the filter must be blasted with compressed air from the inside to the outside, which causes the smoke particles to detach from the filter material and to drop down into the collection area.



Cleaning with compressed air

Rotating Jet Cleaning (Manually)

By connecting compressed air to the manually operated rotating jet the filter pleats can be cleaned by guiding the rotating jet up and down on the inside of the filter, causing the smoke particles to detach and drop down into the collection area.

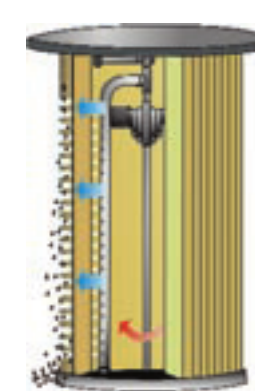


Manual cleaning with rotating jet of compressed air

Standard Model
SRF K-10 Order No. 70268130
SRF K-15 Order No. 70269130

Automatic Cleaning

The automated filter cleaning system can be activated after the fan of the fume extraction equipment has been shut off. Fume extraction units with BIA test certification notify the operator with an acoustic signal that the filter requires cleaning.



Automatic cleaning

Standard Model
SRF K-10 Order No. 70268115
SRF K-15 Order No. 70269114

BIA-Tested Model
SRF K-10 Order No. 70272115
SRF K-15 Order No. 70273114

Welding Fume Filter SRF K-15

The SRF K-15 is a more powerful Model. It is particularly well suited for applications that generate large quantities of smoke, for example the welding of galvanized or coated metals, or if the fumes from two welding stations need to be extracted simultaneously. The SRF K-15 model is also powerful enough to be connected to a pipe system.

- The extraction arm can be either two or three meters in length
- The unit is also suitable as a soldering fume extractor
- Optional activated charcoal filter
- Availability of BIA*) certified models
- Optional fully automated filter cleaning system
- Extensive range of accessories available (s. page 4)

Waste Disposal

By simply tilting the filter housing the dust slides through the opening at the bottom into the sealable dust collection bag, thereby ensuring a dust-free removal of the collected dust.



Convenient dust disposal